



# STANDARD SWAB APPLICATOR

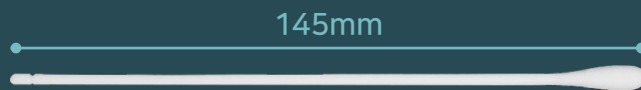
Margin of error:  $\pm 10\%$

NS-1



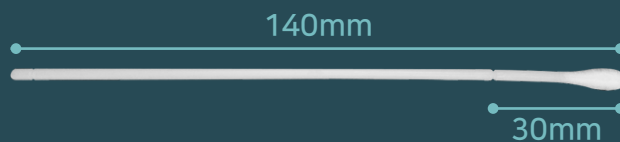
**PACKAGING: 2000 / BOX**  
STANDARD NYLON SWAB APPLICATOR  
WITH BREAKPOINT

NS-2



**PACKAGING: 2000 / BOX**  
STANDARD NYLON SWAB APPLICATOR  
WITHOUT BREAKPOINT

NS-3










**PACKAGING: 2000 / BOX**  
STANDARD NYLON SWAB APPLICATOR  
WITH BREAKPOINT



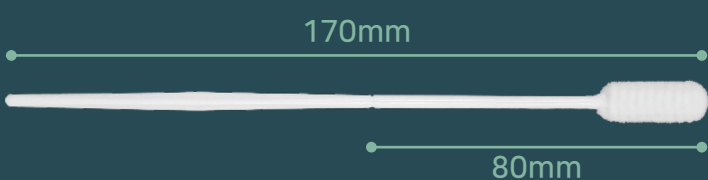
NS-4



**PACKAGING: 2000 / BOX**  
STANDARD NYLON SWAB APPLICATOR  
WITH BREAKPOINT

|        |   |  |
|--------|---|--|
| BNS-1  |     | <p><b>PACKAGING: 2000 / BOX</b><br/>BIG HEAD STANDARD NYLON SWAB APPLICATOR<br/>WITH BREAKPOINT</p>  |
| DNS-1  |    | <p><b>PACKAGING: 2000 / BOX</b><br/>DOUBLE STANDARD NYLON SWAB APPLICATOR<br/>WITH BREAKPOINT</p>    |
| DNS-2  |    | <p><b>PACKAGING: 2000 / BOX</b><br/>DOUBLE STANDARD NYLON SWAB APPLICATOR<br/>WITHOUT BREAKPOINT</p> |
| DNS-4  |    | <p><b>PACKAGING: 2000 / BOX</b><br/>DOUBLE REGULAR TIP NYLON SWAB APPLICATOR<br/>WITH BREAKPOINT</p> |
| SNS-1  |    | <p><b>PACKAGING: 2000 / BOX</b><br/>SHORT STANDARD NYLON SWAB APPLICATOR</p>                         |
| SNS-4  |   | <p><b>PACKAGING: 2000 / BOX</b><br/>SHORT STANDARD NYLON SWAB APPLICATOR</p>                         |
| SBNS-1 |  | <p><b>PACKAGING: 2000 / BOX</b><br/>SHORT BIG HEAD STANDARD NYLON SWAB APPLICATOR</p>                |

## FLOCKED & STANDARD SWAB APPLICATOR

|        |  |   |
|--------|--|---|
| NFS-16 |   | <p><b>PACKAGING: 2000 / BOX</b><br/>DOUBLE SWAB</p> |
| N-14   |   | <p><b>PACKAGING: 2000 / BOX</b><br/>DOUBLE SWAB</p> |
| BS-1   |  | <p><b>PACKAGING: 2000 / BOX</b></p>                 |